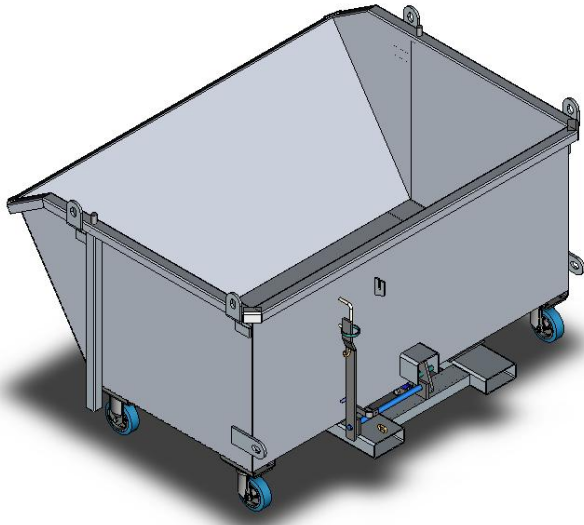


## Type TU Heavy Duty Tip-Up Bin (Wheels & Crane Lug Options)



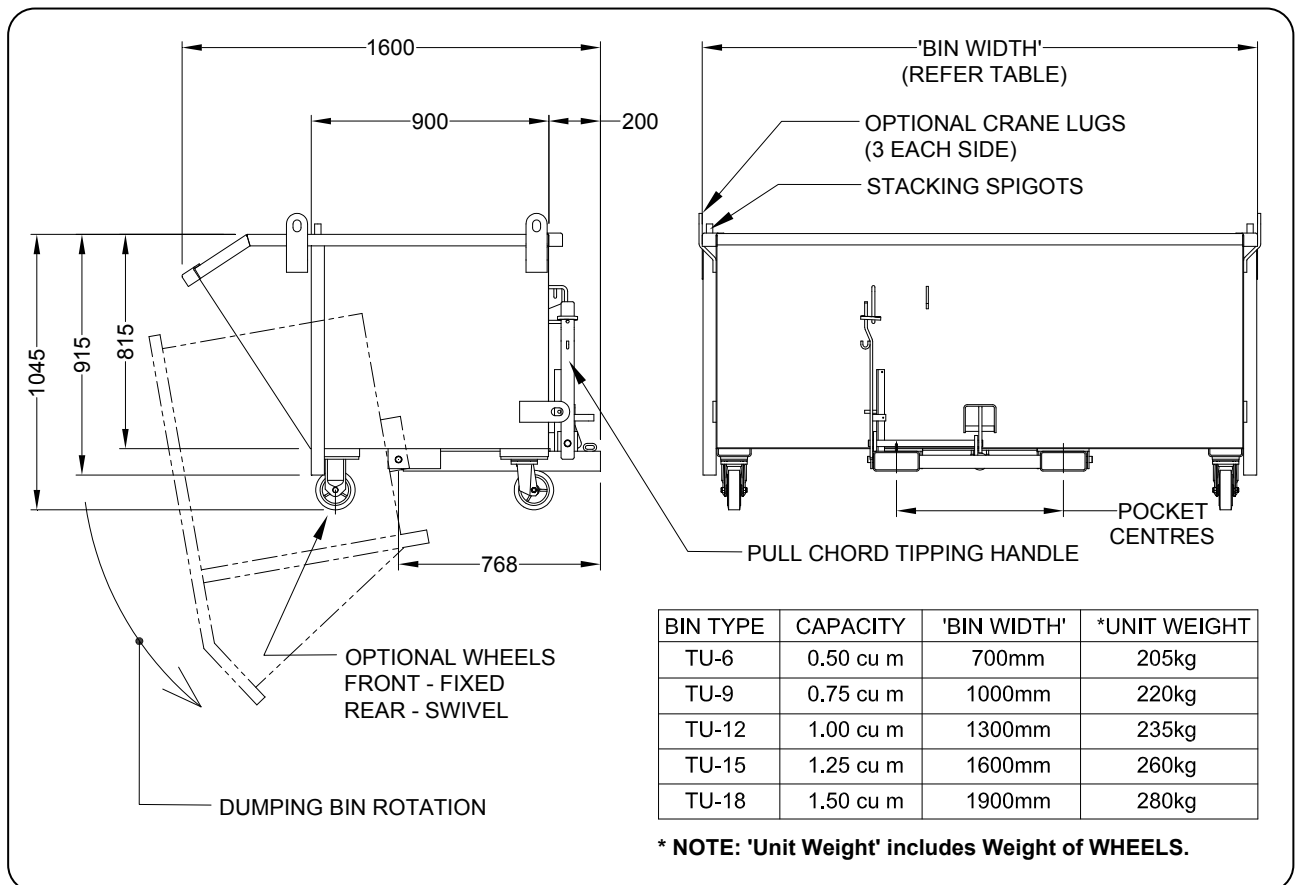
(Type TU18 with optional Wheels & Crane Lugs shown)  
Refer 'TU-Sales' Product Specification sheet  
for the standard model configuration.

The type TU Heavy Duty Tip-Up Bin has been manufactured from 3mm plate and designed with a low profile to allow versatility in confined spaces. The pouring lip and smooth formed edges make the bin ideal for all food industry applications. The release mechanism is activated by the Forklift operator pulling the pull chord from the drivers seat. The custom built shock absorber prevents impact forces being transmitted to the Forklift during emptying.

All type TU bins have a Safe Working Load of 1000kg and range in sizes from 0.5 – 1.5 cubic metre capacities. These bins are available in either enamel painted over primed steel or H.D. Galvanised finish.

### SPECIFICATIONS:

- Pocket size 165 x 65mm
- Pocket Centres – 635mm (TU6 – 405mm)
- Safe Working Load 1000kg
- Unit Weight – refer Table
- Volume Capacity – refer Table
- HCG 800mm
- VCG 400mm
- Wheels, Crane Lugs & Lid Optional
- Drain Valve & Strainer Optional
- Hydraulic Option available



BIN TYPE	CAPACITY	'BIN WIDTH'	*UNIT WEIGHT
TU-6	0.50 cu m	700mm	205kg
TU-9	0.75 cu m	1000mm	220kg
TU-12	1.00 cu m	1300mm	235kg
TU-15	1.25 cu m	1600mm	260kg
TU-18	1.50 cu m	1900mm	280kg

\* NOTE: 'Unit Weight' includes Weight of WHEELS.