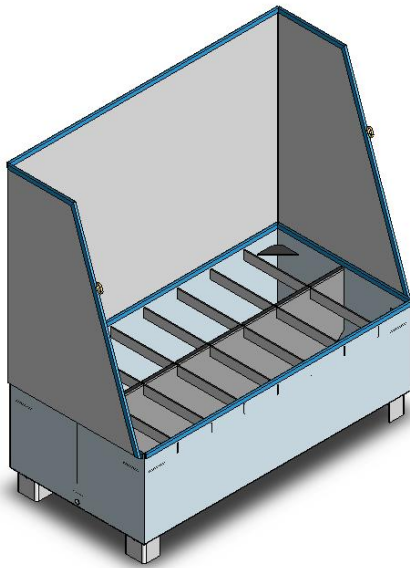


## Type SLC2 Cargo Shield Spill Bin



The type SLC2 Cargo Shield Spill Bin offers a complete protection against damaging and costly chemical spills. This unit caters for up to 2 standard 205 litre steel drums and has a Cargo Shield with a safety chain across the front for added protection. Close spacing support bars allow for large or small drums up to 2000kg SWL to be placed directly onto the Spill Bin. The baffled containment area allows the Spill Bin to be safely moved when full, minimising spillage. To empty the containment area, a single Drain Plug has been provided at the side of the Spill Bin. All type SL Spill Bins come in a long life Zinc plated finish.

All models have a spill capacity of at least 110% of the largest package in accordance with Australian Standards, being classified as "portable" units.

For all other specifications refer to the diagram & chart below.

(Safety Chain not shown)

