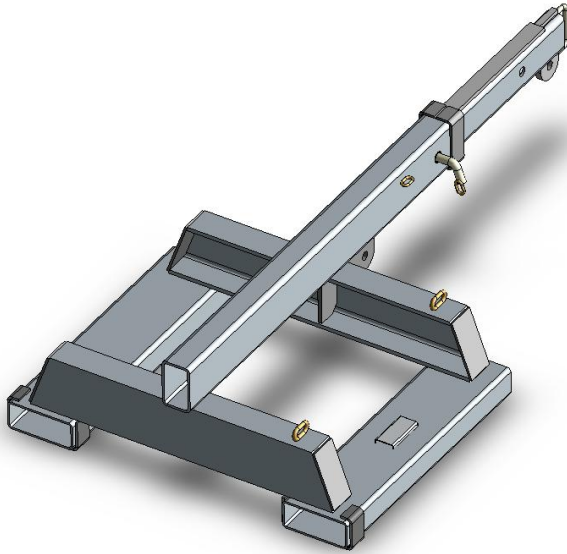


Type SFJS2.5 Fixed Jib (Short)

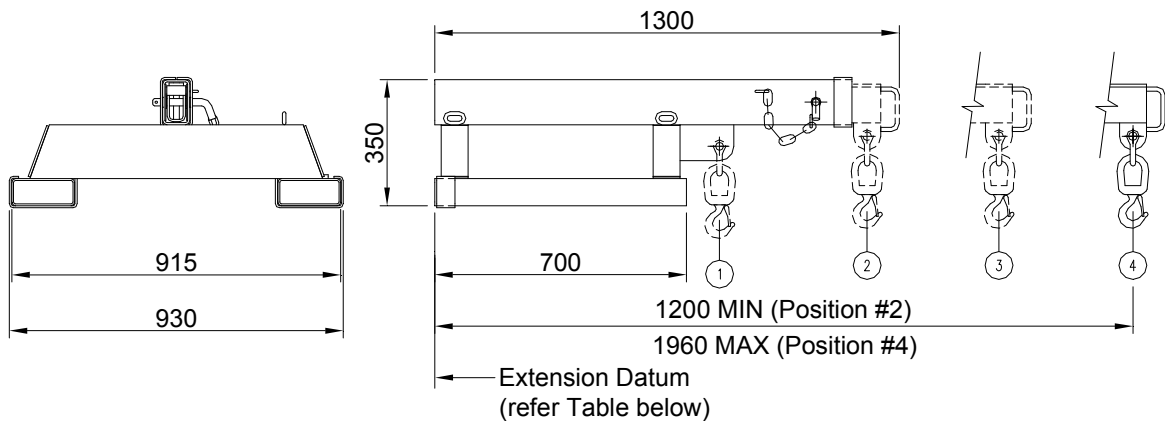
The type SFJS2.5 Fixed Jib (Short) is designed as an affordable general purpose Jib able to manoeuvre in confined spaces, with a 1.96 metre reach when fully extended. This Jib has been designed with wide pockets suitable for Forklifts with special hydraulic Tine Positioners. This slip-on Forklift attachment is held to the Forklift by a safety chain. The Jibs overall length when closed is 1.3 metres.



Supplied with safety swivel Hook and Shackle.

SPECIFICATIONS:

- Safe Working Load (SWL) 2500kg Max.
- Unit Weight 125kg
- Load Centre 790mm
- Pocket Size 165 x 65
- Pocket Centres 740 mm
- Horizontal C of G 650mm
- Vertical C of G 100mm
- Zinc Finish



SAFE WORKING LOADS (SWL) PER POSITION

POSITION	1	2	3	4
EXTENSION (mm)	790	1200	1580	1960
SWL (kg)	2500	1200	900	750