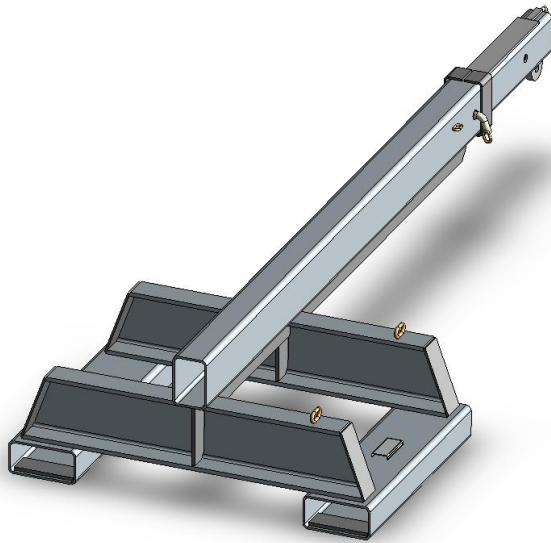


## Type SFJL5 Fixed Jib (Long)

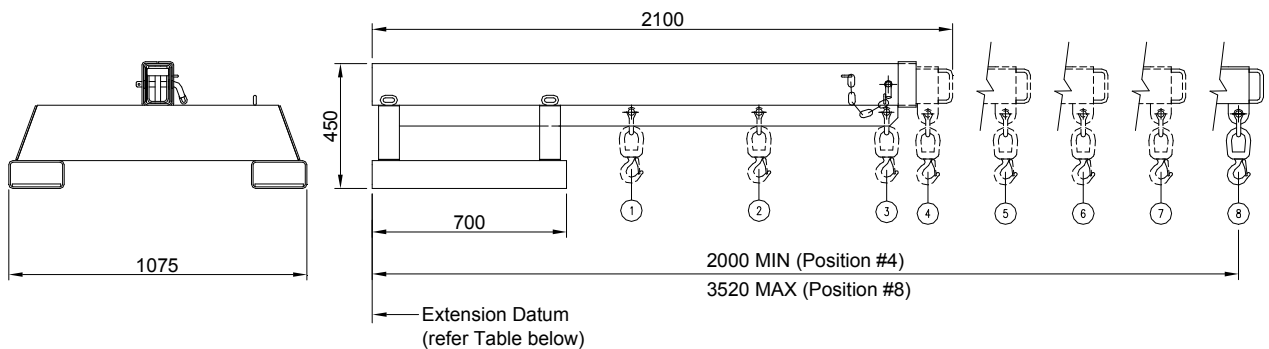
The type SFJL5 Fixed Jib (Long) is designed as an affordable general purpose Jib with a 3.52 metre reach when fully extended. This Jib has been designed with wide pockets suitable for Forklifts with special hydraulic Tine Positioners. This slip-on Forklift attachment is held to the Forklift by a safety chain. The Jibs overall length when closed is 2.1 metres.



Supplied with safety swivel Hook and Shackle.

### SPECIFICATIONS:

- Safe Working Load (SWL) 4750kg Max.
- Unit Weight 200kg
- Load Centre 950mm
- Pocket Size 185 x 75
- Pocket Centres 875 mm
- Horizontal C of G 1300mm
- Vertical C of G 100mm
- Zinc Finish



### SAFE WORKING LOADS (SWL) PER POSITION

POSITION	1	2	3	4	5	6	7	8
EXTENSION (mm)	935	1395	1855	2000	2380	2760	3140	3520
SWL (kg)	4750	4275	3800	3300	2500	1300	760	480