

Type CSD Tipping Bin

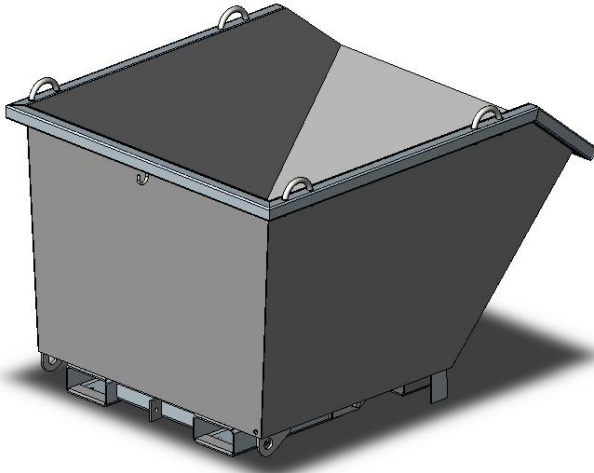
The economical type CSD Tipping Bin is a self dumping bin suitable for most waste handling applications. Being a nesting bin, it uses minimum of space for storage and transport.

This bin is supplied standard with 4 crane lugs and upending lugs. It is also fitted with drain plug and wheel brackets (wheels not supplied unless ordered).

The type CSD Tipping Bins are available in either enamel painted or Galvanised finish.

SPECIFICATIONS:

- Safe Working Load 1500kg
- Unit Weight – refer Table
- Volume Capacity – refer Table
- Pocket size 185 x 75mm
- CSD9 Pocket Centres – 340mm
- CSD12 Pocket Centres – 630mm
- HCG 550mm
- VCG 340mm
- Wheels Optional
- Drain Valve & Strainer Optional



(Type CSD12 standard model shown)

| BIN TYPE | CAPACITY | 'I/S WIDTH' | 'WIDTH' | UNIT WEIGHT |
|----------|-----------|-------------|---------|-------------|
| CSD 9 | 0.95 cu m | 900mm | 1010mm | *180 kg |
| CSD 12 | 1.25 cu m | 1200mm | 1310mm | *205 kg |

* NOTE: UNITS WITH OPTIONAL WHEELS - ADD 18 kg

